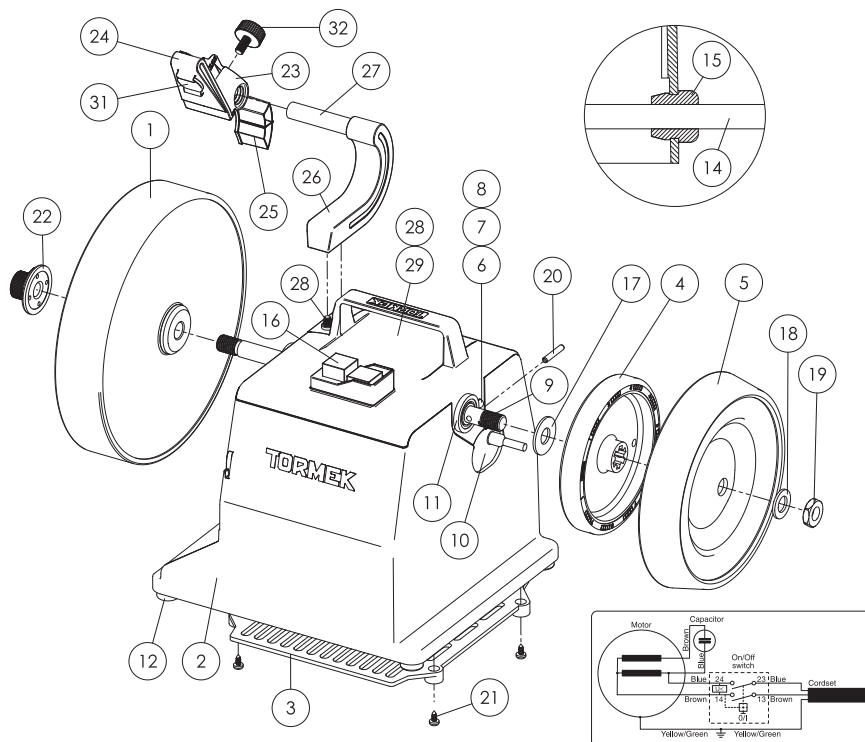


## Spare part list



No.	Denomination	Qty	Part no.	No.	Denomination	Qty	Part no.
1	Grinding wheel	1	6078	15	Strain relief	1	6081 (230V) 6191 (115V)
2	Housing	1	3020 (230V) 3060 (115V)	16	Switch	1	6320 (230V) 6330 (115V)
3	Grating	1	3185	17	Washer for the drive wheel	1	5081
4	Drive wheel with friction ring	1	3208-07 (230V) 3186-07 (115V)	18	Washer for the honing wheel	1	5350
5	Honing wheel	1	3670-07	19	Nut M12 h=6	1	1051
6	Mounting shaft	1	1400	20	Locking pin	1	5071
7	* Bushing for mounting shaft	3	3128	21	Screw for grating	4	5191
8	* Distance spring for the motor	1	0770	22	EzyLock	1	3520
9	Main shaft	1	1048	23	Jig	1	2480
10	Motor 120 W	1	6168 (230V) 6010 (115V)	24	Clamp	1	3690
11	Nylon bearing	2	3061	25	Pointer	1	3680
12	Rubber foot	4	3198	26	Axis holder	1	2490
13	* Machine label	1	7750 (SE/EN) 7770 (EN/FR)	27	Axis	1	1420
14	Cord set	1	6031 (SE) 6041 (CH) 6043 (US) 6050 (JP) 6053 (GB) 6055 (AU) 6057 (ZA)	28	Screw M5x10	6	5590
				29	Machine head	1	2440
				30	* Screw M4x8	2	5600
				31	Magnet	1	5370
				32	Locking screw	1	1185

**Weight machine only: 6.3 kg (13.9 lbs)**

\* Not shown on drawing