

Robert Sorby Woodturning tools

As well as many specialist tools, Robert Sorby manufactures in its Sheffield factory a huge range of high quality HSS woodturning tools.

Bowl and Spindle gouges are available with a standard grind in 1/4", 3/8", 1/2" & 3/4" Bowl gouges with a fingernail grind in 1/4", 3/8" & 1/2" and Spindle gouges with a fingernail profile in 3/8" & 1/2". Spindle Roughing gouges are manufactured in two sizes 3/4" & 1 1/4". Skew chisels come in several sizes and with standard, oval or round blades.

There is a large selection of scrapers to suit any woodturning project along with an array of parting tools for every requirement.

Robert Sorby also manufacture a range of micro tools to cover all those fine detail projects.

Sovereign 16" & Sovereign 22" System (Ref: SOV-16S & REF: SOV-22S)

The Sovereign is a handle system that gives the turners the ability to interchange a large range of gouges and other blades. The two lengths available give flexibility depending on the size of the project being worked and the length of the grip required.

The high quality seamless steel tube gives strength and rigidity whilst the Softex grip gives a comfortable positive grip even when used for extended periods.

The head and end cap are machined from aircraft grade Aluminium with tool steel inserts in the head to ensure a long thread life of the brass tipped clamping screws.

Robert Sorby has chosen the materials and design of this handle without compromise to ensure maximum strength and feel, with extremely good vibration dampening properties.

As standard, both handles are designed to accept any tool with a 5/8" shank and the system includes two collet adaptors of 3/8" & 1/2". Also there is an optional addition of a 1/4" pilot bored collet adaptor to suit 1/4" blades that can also be drilled out by the user to a specifically required size.

Another optional extra is a counterweight that can be screwed into the end cap of both handles to help maintain the balance of the Sovereign when using heavier blades.

A thread coupler is also available to allow the turner to connect two handles together to produce a longer handle of a desired length of 32", 38" or 44".

Patriot lathe chuck (Ref: RSPC)

The all British manufactured Patriot woodturning chuck is light, compact but incredibly robust and is perfect for any woodturning project. It has a smooth operating action in expansion and contraction with the one handed key. It is fitted with 2" (50mm) jaws which have an internal and external dovetail and gripper teeth for greater secure work holding. It is also supplied with a screw chuck and an insert to fit all available lathes on the market.

There is also a huge range of optional jaws and accessories available.

The ProEdge Ultimate Sharpening System (Ref: PE01A & PED01A)

The ProEdge from Robert Sorby represents the ultimate for sharpening any woodworking tools. Its unique design incorporates many years of experience in producing the keenest of edges accurately and efficiently. It is ready to use straight out of the box..... just plug it in and sharpen your tools! There is a selection of jigs to make it much easier to sharpen some of the more difficult tools, such as the Skew and Fingernail gouges.

The unique angle setter ensures the same sharpening angle is achieved with consistency and accuracy every time utilising the pre-set holes that takes seconds to adjust.

A variety of abrasive belts allow the correct material and grit to be used for the type of tool sharpening required. This is easily achieved with a quick and simple belt changing facility.

A FREE information and useage CD video is available upon request.

Modular Micro Tool System

This unique system is centred on the beautifully engineered burgundy anodised aluminium handle. Into this handle can be fitted an array of tools and blades.

There are four sets which are the Micro Sandmaster, Micro Spiralling tool, Micro Spindle set and Micro Hollowing set.

The main benefit of this system is that the woodturner can buy just one of the handled sets and then add any of the unhandled tools, blades and heads from any of the other sets and the additional optional blades that are available.

Ideal for woodturners working on smaller projects.

Full details of our product range can be obtained from:

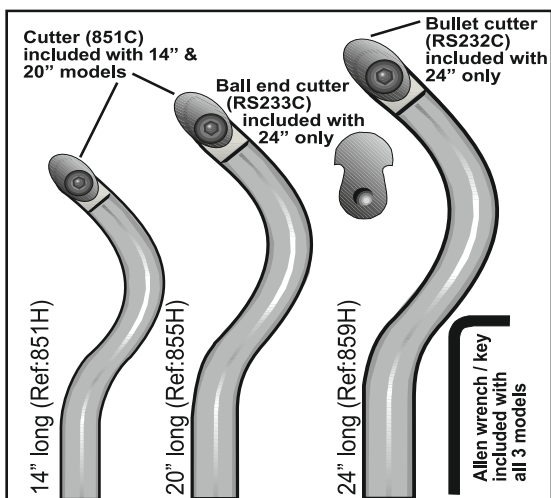
Robert Sorby

Athol Road, Sheffield, England S8 0PA.

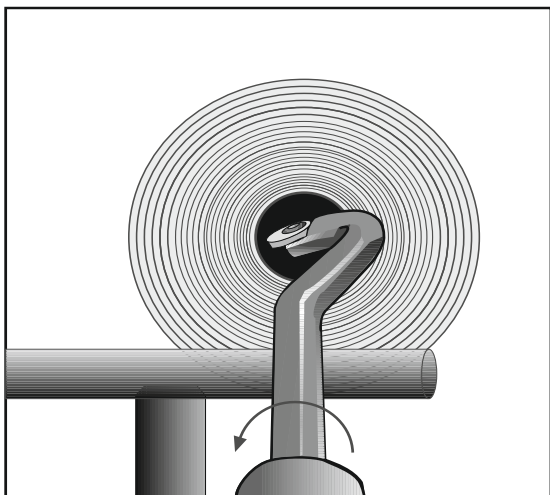
Tel: +44 (0)114 225 0700 Fax: +44 (0)114 225 0710
sales@robert-sorby.co.uk www.robert-sorby.co.uk

The unique shape of these tools makes them suitable for blind turning and accessing through a restricted opening such as a vase. The Swan Neck design allows the tool to work underneath a shoulder on a hollow form to create elegant shapes with constant wall thickness. There are three sizes of tool 14" and 20" long for end-grain work and 24" long for end- and side-grain projects.

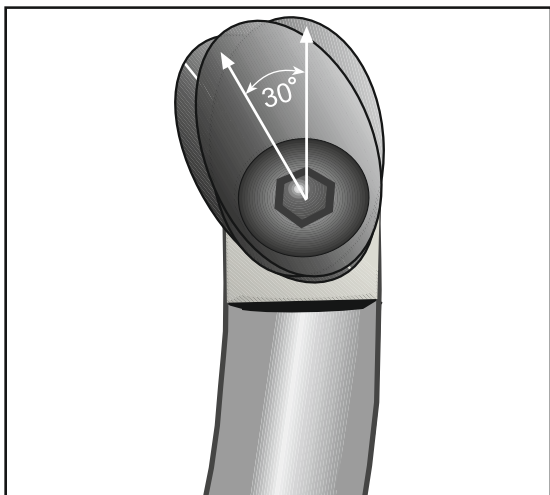
EQUIPMENT



The maximum project size for each tool is as follows: 4 1/2" for the 14" model, 5 1/2" for the 20" model and 7" for the 24" model.

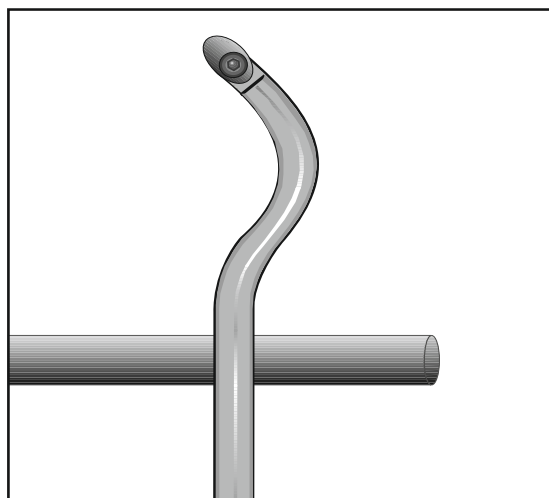


Hold the tool flat on the toolrest and then rotate the handle a small amount to the left to tilt the tip down. This gives slightly more clearance on the cutting edge.

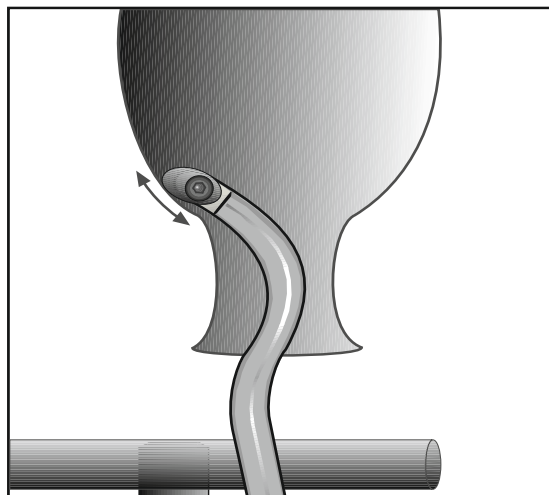


The position of the cutter can be changed by undoing the machine screw and re-positioning it. The optimum position is between directly forward of the shaft and 30 degrees to the left depending on the access required.

TOOL SET-UP

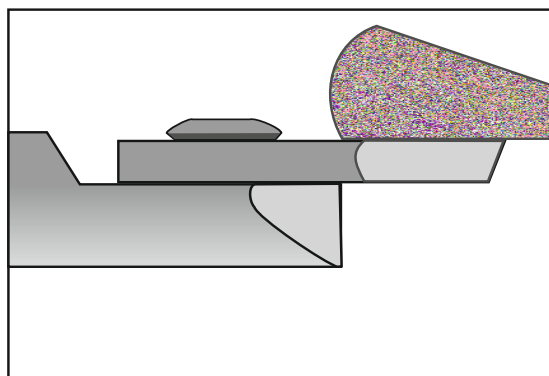


Always ensure that the straight part of the shaft is on the tool rest and NEVER the swan neck section.



The design of the tool will give a smooth finish on every pass with a gentle back and forth sweeping action.

SHARPENING



To sharpen the cutters use a honing stone or diamond file across the top flat face. If the tool has been used on hard woods for extended periods, the profiled edge can be sharpened using the cutter holder (Code No: 472) on the ProEdge Sharpening System (Code No: PED01*)

* A=UK B=Europe C=USA