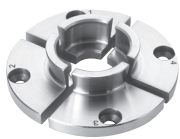


Original Instruction Manual

SC Series Chuck Jaws

Version 3.1

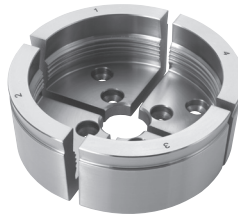
February 2017



62321 35 mm
Standard Jaws



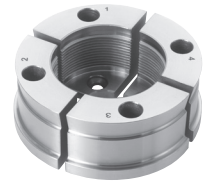
62313 50 mm
Standard Jaws



62329 100 mm
Dovetail and Deep
Gripper Jaws



62317 130 mm
Dovetail Jaws



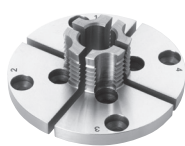
62322 75 mm Heavy
Bowl and Gripper Jaws



62323 Long
Nose Jaws



62327 Pin Jaws
with 9 mm Bore



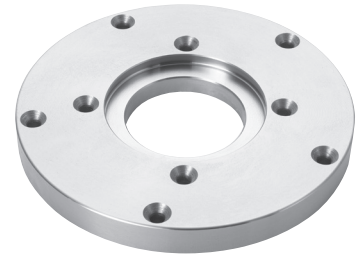
62336 Mini Spigot
Jaws with 13 mm Bore



62337 Pen Jaws



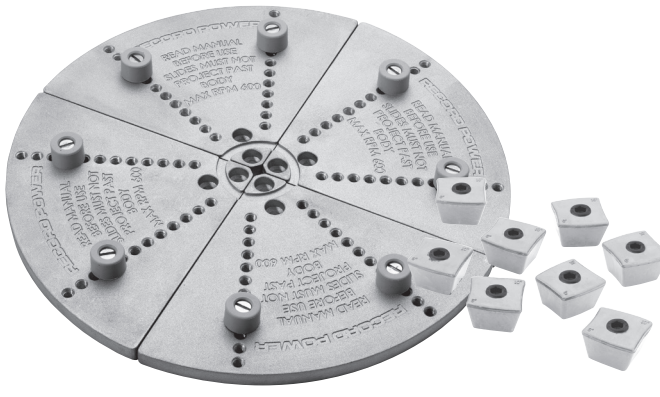
62572 87mm (3 1/2")
Faceplate Ring



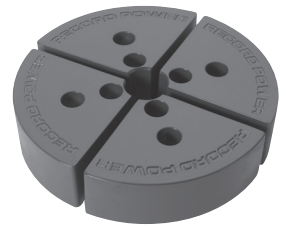
62574 126mm (5") Faceplate Ring



62356 Remounting Jaws Mini -
Up to 200 mm Bowl



62377 Remounting Jaws Mega - Up to 295 mm Bowl
(With Angular Buffer Stops)



62378 RP Plastic Soft Jaws



To register this product please visit
www.recordpower.info

It is important to register your product as soon as possible in order to receive efficient after sales support and be entitled to the full **5 year guarantee**. Your statutory rights are not affected. Please see back cover for contact details.



Always wear safety glasses when using woodworking equipment.



Always read the instructions provided before using woodworking equipment.

Important

For your safety read instructions carefully before assembling or using this product.

Save this manual for future reference.

Contents

- 1 Explanation of Symbols
- 2 Record Power Guarantee
- 3 General Jaw Use
- 4 **62321** 35 mm Standard Jaws
- 5 **62313** 50 mm Standard Jaws
- 6 **62329** 100 mm Dovetail and Deep Gripper Jaws
- 7 **62317** 130 mm Dovetail Jaws
- 8 **62322** 75 mm Heavy Bowl and Gripper Jaws
- 9 **62323** Long Nose Jaws
- 10 **62327** Pin Jaws with 9 mm Bore
- 11 **62337** Pen Jaws
- 12 **62336** Mini Spigot Jaws with 13 mm Bore
- 13 **62572** 87 mm (3 1/2") Faceplate Ring
- 14 **62574** 126 mm (5") Faceplate Ring
- 15 **62378** RP Plastic Soft Jaws
- 16 **62356** Remounting Jaws Mini - Up to 200 mm Bowl
- 17 **62377** Remounting Jaws Mega - Up to 295 mm Bowl (With Angular Buffer Stops)

1. Explanation of Symbols

The symbols and their meanings shown below may be used throughout this manual. Please ensure that you take the appropriate action wherever the warnings are used.

Mandatory Instructions



Read and fully understand the instruction manual before attempting to use the machine.



Indicates an instruction that requires particular attention



Wear protective eyewear



Use respiratory protective equipment



Use hearing protection



Use suitable protective footwear



Use protective work gloves

Warnings



Indicates a risk of severe personal injury or damage to the machine



Indicates a risk of severe personal injury from electrical shock



Risk of personal injury from lifting of heavy items



Indicates a risk of severe personal injury from airborne objects



Risk of fire

2. Record Power Guarantee

“**Products**” means the Products sold by Record Power subject to these terms and conditions;

“**Record Power**” is Record Power Limited, whose company registration number is 4804158 and registered office address is Centenary House, 11 Midland Way, Barlborough Links, Chesterfield, Derbyshire S43 4XA and sells through a network of Authorised Dealers;

“**Authorised Distributor**” is the nominated importer for your region who will generally sell through a network of Authorised Dealers. Details of Authorised Distributors for specific countries can be found in the Product manual or at www.recordpower.info;

“**Authorised Dealer**” is a retailer or business authorised to sell Record Power Products to end users.

1 Guarantee

- 1.1 Record Power guarantees that for a period of 5 years from the date of purchase the components of qualifying Products (see clauses 1.2.1 to 1.2.9) will be free from defects caused by faulty construction or manufacture.
- 1.2 During this period Record Power, its Authorised Distributor or Authorised Dealer will repair or replace free of charge any parts which are proved to be faulty in accordance with paragraphs 1.1 above provided that:
 - 1.2.1 you follow the claims procedure set out in clause 2 below;
 - 1.2.2 Record Power, our Authorised Distributor or Authorised Dealer are given a reasonable opportunity after receiving notice of the claim to examine the Product;
 - 1.2.3 if asked to do so by Record Power, its Authorised Distributor or Authorised Dealer, you return the Product, at your own cost, to Record Power’s premises or other approved premises such as those of the Authorised Distributor or supplying Authorised Dealer, for the examination to take place;
 - 1.2.4 the fault in question is not caused by industrial use, accidental damage, fair wear and tear, wilful damage, neglect, incorrect electrical connection, abnormal working conditions, failure to follow our instructions, misuse, or alteration or repair of the Product without our approval;
 - 1.2.5 the Product has been used in a domestic environment only;
 - 1.2.6 the fault does not relate to consumable Products such as blades, bearings, drive belts or other wearing parts which can reasonably be expected to wear at different rates depending on usage (for full details contact Record Power or your local Authorised Distributor);
 - 1.2.7 the Product has not been used for hire purposes, by you or by a previous owner;
 - 1.2.8 the Product has been purchased by you as the guarantee is not transferable from a private sale.
 - 1.2.9 where the Product has been purchased from a retailer, the 5 year guarantee is transferable and begins on the date of the first purchase of the Product and in the event of a claim under this guarantee proof of the original purchase date will be required to validate the warranty period.

2 Claims Procedure

- 2.1 In the first instance please contact the Authorised Dealer who supplied the Product to you. In our experience many initial problems with machines that are thought to be due to faulty parts are actually solved by correct setting up or adjustment of the machines. A good Authorised Dealer should be able to resolve the majority of these issues much more quickly than processing a claim under the guarantee.
- 2.2 Any damage to the Product resulting in a potential claim under the guarantee must be reported to the Authorised Dealer from which it was purchased within 48 hours of receipt.
- 2.3 If the Authorised Dealer who supplied the Product to you has been unable to satisfy your query, any claim made under this Guarantee should be made directly to Record Power or its Authorised Distributor (for details of the Authorised Distributor in your country please see your Product manual or check www.recordpower.info for details). The claim itself should be made in a letter setting out the date and place of purchase, and giving a brief explanation of the problem which has led to the claim. This letter should then be sent with proof of the purchase date (preferably a receipt) to Record Power or its Authorised Distributor. If you include a phone number or email address this will help to speed up your claim.
- 2.4 Please note that it is essential that the letter of claim reaches Record Power or its Authorised Distributor on the last day of this Guarantee at the latest. Late claims will not be considered.

3 Limitation of Liability

- 3.1 We only supply Products for domestic and private use. You agree not to use the Product for any commercial, business or re-sale purposes and we have no liability to you for any loss of profit, loss of business, business interruption or loss of business opportunity.
- 3.2 This Guarantee does not confer any rights other than those expressly set out above and does not cover any claims for consequential loss or damage. This Guarantee is offered as an extra benefit and does not affect your statutory rights as a consumer.

4 Notice

This Guarantee applies to all Products purchased from an Authorised Dealer of Record Power within the United Kingdom of Great Britain and Northern Ireland. Terms of Guarantee may vary in other countries – please check with the Authorised Distributor in your country (details of the Authorised Distributor for your country can be found in the manual or at www.recordpower.info).

3. General Jaw Use



Warning: Before turning any workpiece using any method described in this manual, ensure the timber is free from any cracks, splits or other defects which may cause it to break apart during turning. Also ensure that the workpiece is securely held by the chuck before turning is carried out.



Compatibility with Other Manufacturers' Chuck Jaws

The RECORD POWER SC range is a completely new and exclusive system designed to improve on the systems we sold previously. However, to minimise any redundancy for customers of the previously sold 'RECORD POWER - NOVA Series' G3 or Supernova 2 range, our new improved system has been designed to use the same jaw mount profile, making it possible to still utilise jaws from the previous system where required. However it is important to note the following:

Safety

It is important that the mounting system described in this manual is followed fully. If you follow the described process but the jaws (from any manufacturer) do not locate properly on the jaw slide, do not centre correctly when fitted as per these instructions or will not tighten down securely after centring then those jaws should not be used until the problem has been investigated and resolved.

NOVA chucks open and close with reverse operation to RECORD POWER SC chucks. Our control direction has been designed to be more intuitive. So if you try to fit NOVA jaws to RECORD POWER SC chucks it is important to remember that the jaw numbering on NOVA jaws will be different to the jaw numbering on RECORD POWER SC jaws and jaw slides.

Fitting NOVA to RECORD POWER SC Chucks

NOVA jaws 1 and 3 should still be matched to jaw slides 1 and 3 on the RECORD POWER SC chuck as you would with RECORD POWER jaws. However, jaw 2 should be mounted on slide 4 and jaw 4 should be mounted on slide 2 (this is the opposite of mounting RECORD POWER jaws to RECORD POWER SC chucks – in which case the jaw numbers match the jaw slides exactly).

Other manufacturers have also made chucks and jaws with the same mounting specification – So if attempting to use other manufacturers' jaws, try and establish the direction of travel the jaw slide control uses as follows:

RECORD POWER SC Chucks – The chuck key is turned clockwise to close the jaw slides and anti-clockwise to open the jaw slides. Manufacturers with the same direction of travel on their chuck and jaws with same mount may be possible to use with RECORD POWER SC chucks and if the direction of travel is the same – jaw numbers should match slide numbers. But make sure you follow the fitting instructions and check security of fit before use and if in any doubt as to the integrity of another manufacturer's component, check with them before use.

NOVA Chucks – The chuck key is turned anti-clockwise to close the jaw



Always wear suitable PPE and observe health and safety guidance shown in the Record Power SC Series Chucks manual. This manual gives basic instructions on the use of the jaws. For further information refer to the Record Power SC Series Chucks manual.

slides and clockwise to open the jaw slides. Other manufacturers may use the same system. In this case Jaws 1 and 3 should be matched to jaw slides 1 and 3 but Jaw 4 should be fitted to jaw slide no 2 and jaw 2 should be fitted to jaw slide no 4.

Record Power use CNC machining, powder metallurgy and the correct engineering materials and processes to provide the tolerances and physical attributes suitable for intended woodturning applications. We have high QC standards and guarantee that when used as per guidance in the manual, our jaws, jaw slides and chucks will perform without problems – even with properly fitted components from other manufacturers. However, it is important to note that we are guaranteeing the integrity of our own components in these circumstances – i.e. that the Record Power components will not fail. However, it is not possible for us to guarantee the quality or integrity of other manufacturers' components. If in any doubt, please check first with other manufacturers as to the specifications and quality control they can guarantee for their products.

Fitting the Jaws to the Chuck

Before attaching the jaws ensure they are clean and that the chuck body is also clean and free from debris.

Attach each numbered jaw segment to the corresponding numbered jaw slide using the hex head socket screws supplied with the Record Power SC3 and SC4 chucks. Only loosely secure the jaws so that some movement is possible.

Now close the jaws together fully and they will self-centralise on the jaw slides and perform with optimum accuracy. Tighten the screws to complete installation.

It is also advisable to apply a little lubricant to the M6 x 6 mm countersunk head hex socket screws to reduce the risk of them becoming rusted to the chuck body if left attached for a long time in a damp environment.



Important

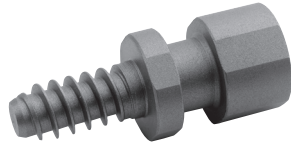
Both the SC3 and SC4 chucks are made to very tight tolerances to ensure extremely accurate performance. On both chucks the permissible axial run-out is 0.1 mm and the permissible radial run-out is 0.15 mm. To ensure the chucks perform as accurately as possible, the jaws must be mounted correctly so as to minimise run-out.

3. General Jaw Use

Using the Deep Wood Screw

The **62833** Deep Wood Screw supplied with the SC3 and SC4 chucks is designed to be held by the following jaws:

- 62321** 35 mm Standard Jaws
- 62313** 50 mm Standard Jaws
- 62317** 130 mm Dovetail Jaws



The **62832** Long Deep Wood Screw is designed to be held by the following jaws:

- 62329** 100 mm Dovetail and Deep Gripper Jaws
- 62322** 75 mm Heavy Bowl and Gripper Jaws

See **Fig 3.1**.

Ensure that the flattened areas of the deep wood screw collar are positioned to mate with the jaw slides as shown in **Fig 3.2** and tighten the jaws around the screw.

Find the centre point of the workpiece and drill a 7 mm ($\frac{9}{32}$ ") for soft wood or 8 mm ($\frac{5}{16}$ ") wide hole in the centre point, and to a depth of 17 mm ($\frac{6}{10}$ ").

Screw the workpiece onto the deep wood screw until it meets the jaws as shown in the cross section of **Fig 3.1**.

The outside of the bowl can now be turned as shown in **Fig 3.3**.



Warning: Only use the deep wood screw for workpieces up to 250 mm (10") in diameter and 100 mm (4") in depth, Fig 3.1.

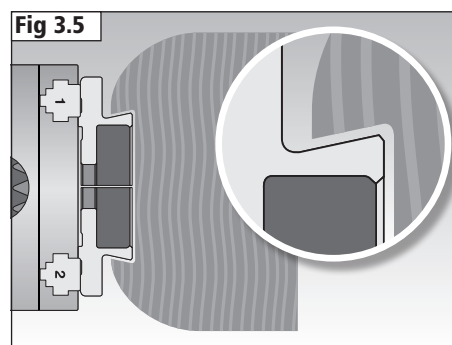
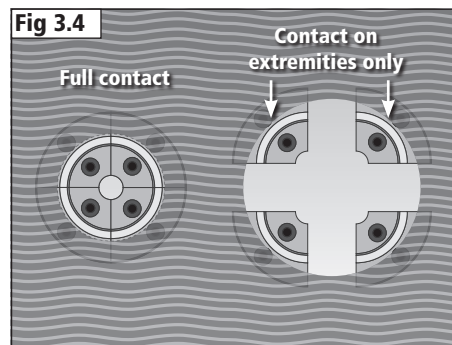
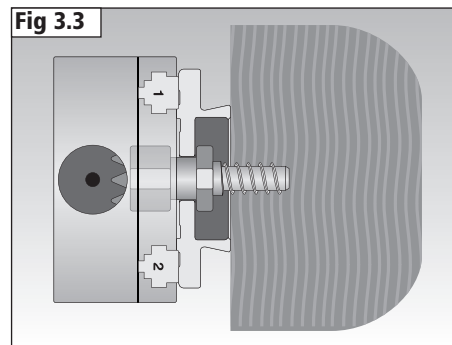
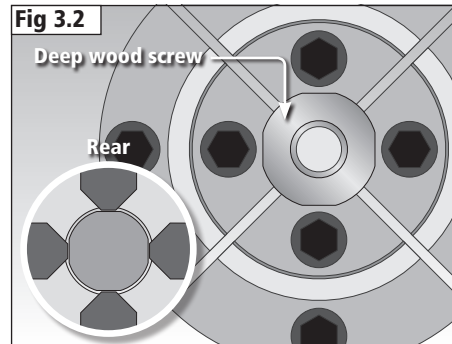
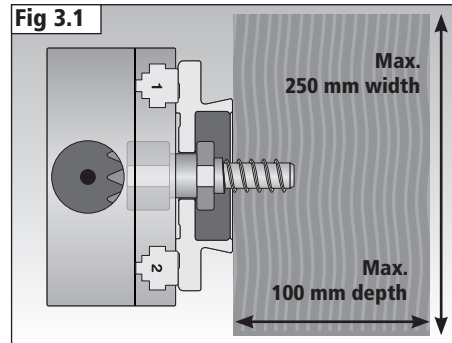
Turn either a recess or a spigot on the base of the bowl. This will be used to hold the chuck in the jaws to allow turning of the inside.

Turning a Recess

The diameter of the recess should ideally allow the chuck jaws to open slightly from their fully closed position. This gives the greatest surface area contact and strongest grip. Larger diameters give less contact and grip, see **Fig 3.4**.

Create a deeper recess for larger work to increase the grip of the jaws.

Turn the recess at an angle to match the outside dovetail profile of the jaws being used as shown in **Fig 3.5** then mount to the jaws and turn the inside surface.



3. General Jaw Use

Turning a Cylindrical Spigot

The diameter of the spigot should ideally allow the chuck jaws to grip when they are almost fully closed. This gives the greatest surface area contact and strongest grip. Larger diameters give less contact and grip, See **Fig 3.6**.

Create a longer spigot for larger work to increase the grip of the jaws.

Turn the spigot at an angle to match the inner dovetail profile of the jaws being used as shown in **Fig 3.7** then mount to the jaws and turn the inside surface.



Warning: Never attempt to hold a spigot between the jaw slides. The sole purpose of the slides is to hold the chuck jaws. Only use compatible and suitable chuck jaws to hold workpieces.

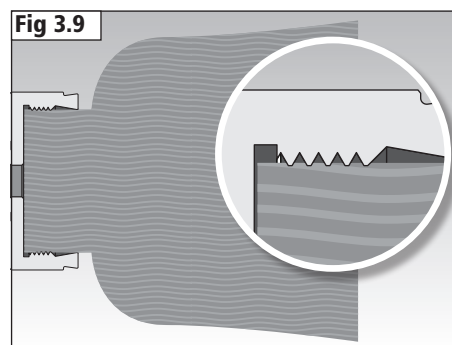
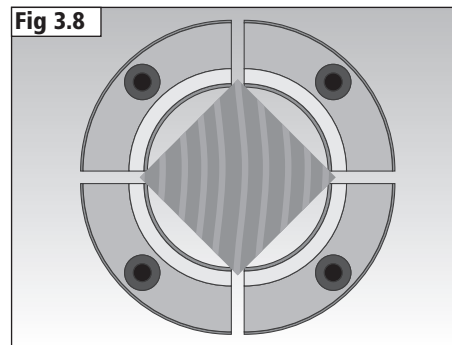
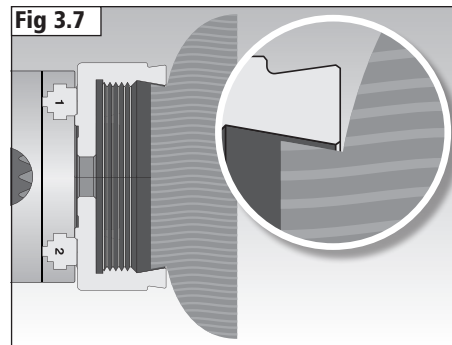
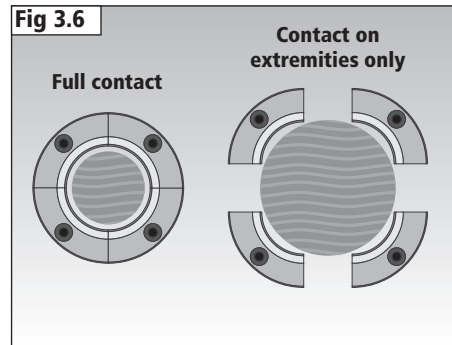
Turning a Square Spigot

Square spigots can be held in the chuck jaws as shown in **Fig 3.8**.

Using the Inner Teeth of the Jaws

Some jaws feature deep internal teeth to give an extra strong grip to timber. This is ideal when turning large and heavy work which needs a strong spigot to support it, see **Fig 3.9**.

Green timber can also be turned using the inner teeth. It is recommended that the section to be held is turned between centres to a cylinder. This will maximise the grip of the teeth.



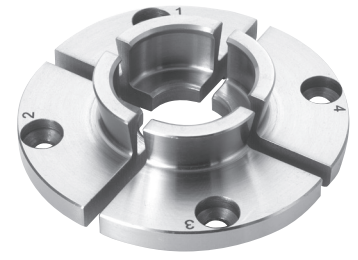
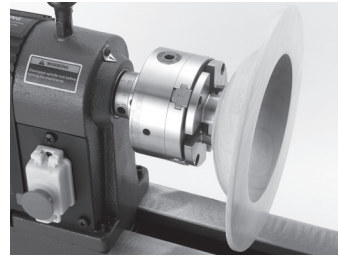
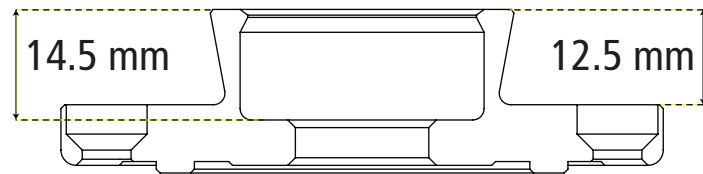
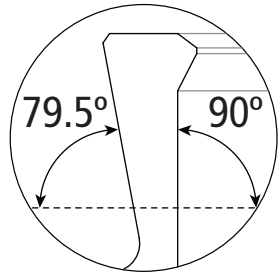
4. 62321 35 mm Standard Jaws

These jaws are a smaller version of the standard 50 mm jaws, featuring the same dovetail profile in expansion and the superb grip of the hawk beak design on contraction. Designed specifically for smaller spigots and recesses, this set is incredibly versatile and makes a great addition to any turner's tool collection.

Expansion: 38 - 58 mm (1 1/2 - 2 1/4")

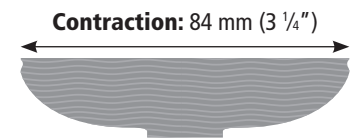
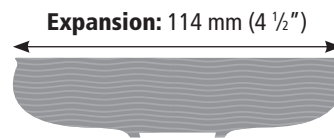
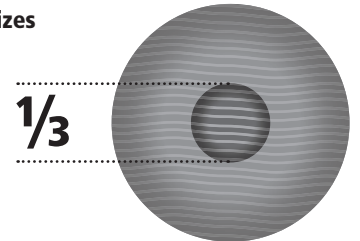
Contraction (spigot): 28 - 47 mm (1 1/8 - 1 7/8")

Contraction (square): 16 - 37 mm (5/8 - 1 1/2")

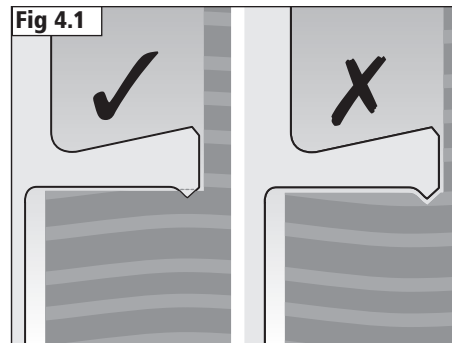


Recommended Optimum Bowl Sizes

Based on the design principle of the spigot or recess being 1/3 of the bowl's diameter.



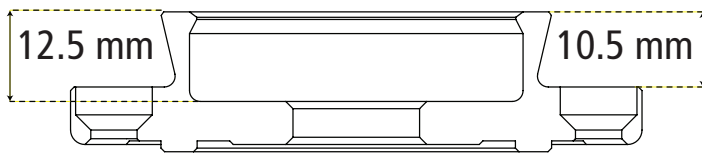
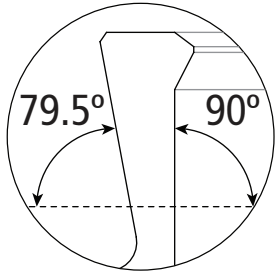
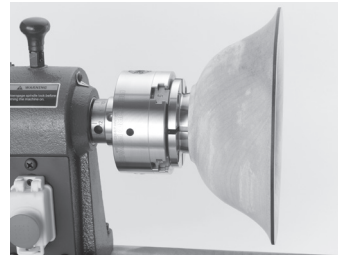
Important: The jaws feature a small lip to the front of the interior profile. This lip is intended to bite into the wood to give additional security. Do not turn a spigot to match this profile as the effectiveness of the jaws will be reduced if the lip cannot bite, Fig 4.1.



5. 62313 50 mm Standard Jaws

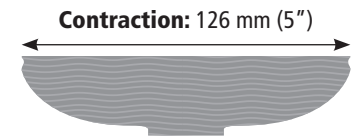
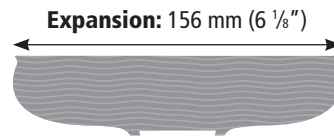
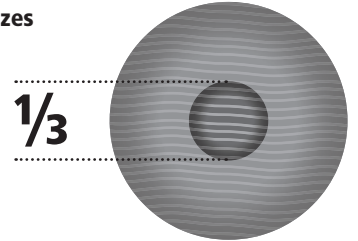
Featuring a specialised dovetail profile in expansion and the superb grip of the hawk beak design on contraction, these versatile jaws are a great all-round set, capable of bowl work to a good size and also spigot turning. They are supplied as standard with the SC3 and SC4 chucks.

Expansion:	52 - 72 mm (2 - 2 7/8")
Contraction (spigot):	42 - 61 mm (1 5/8 - 2 3/8")
Contraction (square):	30 - 51 mm (1 1/8 - 2")

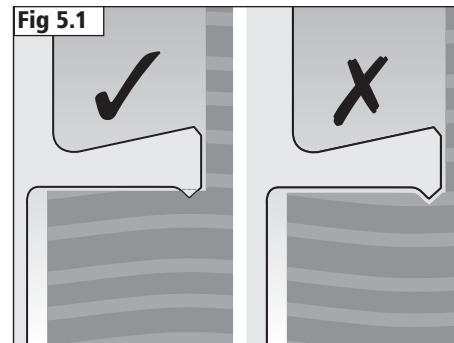


Recommended Optimum Bowl Sizes

Based on the design principle of the spigot or recess being 1/3 of the bowl's diameter.



Important: The jaws feature a small lip to the front of the interior profile. This lip is intended to bite into the wood to give additional security. Do not turn a spigot to match this profile as the effectiveness of the jaws will be reduced if the lip cannot bite, Fig 5.1.



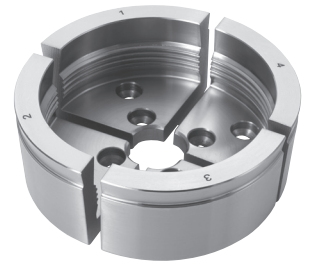
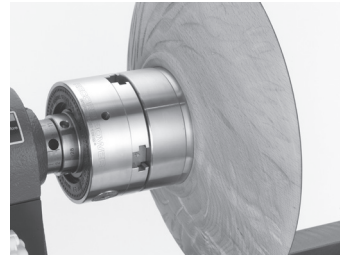
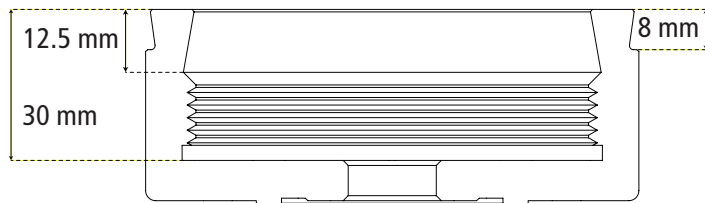
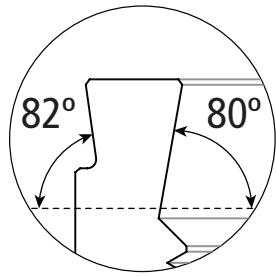
6. 62329 100 mm Dovetail and Deep Gripper Jaws

Featuring a specialised dovetail profile, these jaws are ideal for turning large bowls, green timber and hollow vessels. They combine the profile of our previously popular 100 mm dovetail jaws with a deep body and internal teeth to improve versatility. The outer dovetail jaws are ideal for large bowls or platters, particularly when gripping onto a spigot and the deep internal toothed body is ideal for large spigots of large hollow vessels.

Expansion: 94 - 114 mm (3 ¾ - 4 ½")

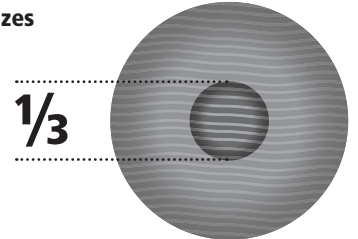
Contraction (spigot): 76 - 95 mm (3 - 3 ¾")

Contraction (square): 54 - 74 mm (2 ⅞ - 2 7/8")

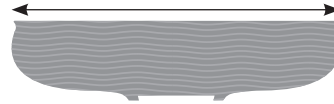


Recommended Optimum Bowl Sizes

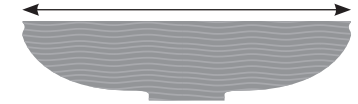
Based on the design principle of the spigot or recess being 1/3 of the bowl's diameter.



Expansion: 282 mm (11 1/8")



Contraction: 228 mm (9")



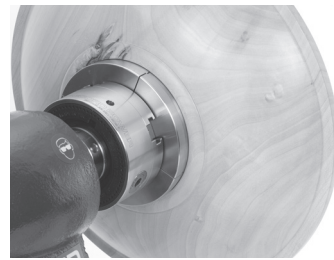
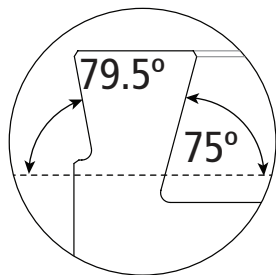
7. 62317 130 mm Dovetail Jaws

Featuring a specialised dovetail profile, these jaws are ideal for turning up to 30" bowls. They also feature a reverse dovetail for a contracting grip on large spigots.

Expansion: 125 - 145 mm (5 - 5 ¾")

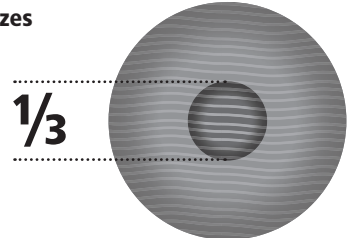
Contraction (spigot): 104 - 123 mm (4 - 4 7/8")

Contraction (square): 74 - 94 mm (2 7/8 - 3 ¾")

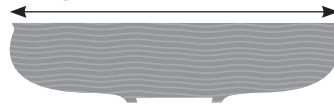


Recommended Optimum Bowl Sizes

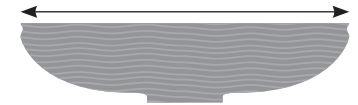
Based on the design principle of the spigot or recess being 1/3 of the bowl's diameter.



Expansion: 375 mm (14 3/4")



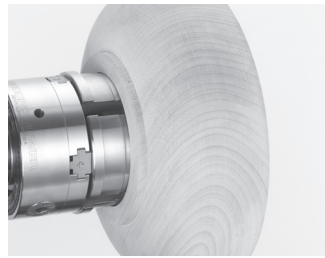
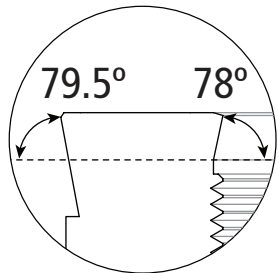
Contraction: 312 mm (12 1/4")



8. 62322 75 mm Heavy Bowl and Gripper Jaws

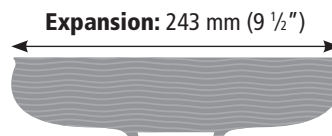
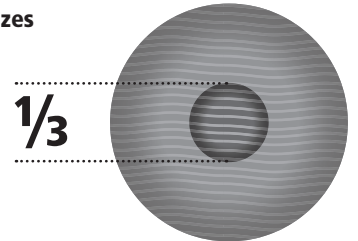
These new jaws are ideal for heavy bowls and vases. The wide front face provides a good register for the base of the bowl or vase and the deep toothed body provides strong grip on the spigot. The internal gripper can also be used on smaller rough green timber. Also featuring an external dovetail in expansion, they can be used for large platters. A truly versatile and solid jaw set.

Expansion: 81 - 102 mm (3 1/4 - 4")
Contraction (spigot): 46 - 65 mm (1 3/4 - 2 1/2")
Contraction (square): 33 - 54 mm (1 1/4 - 2 1/8")



Recommended Optimum Bowl Sizes

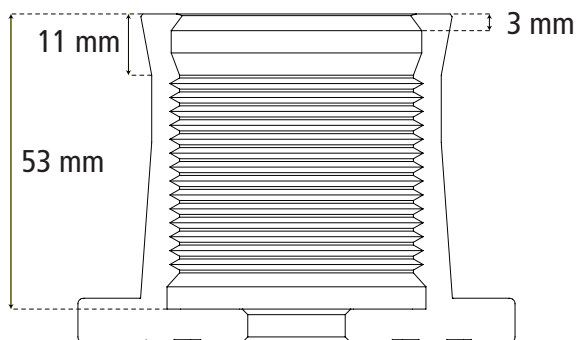
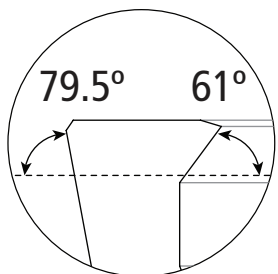
Based on the design principle of the spigot or recess being 1/3 of the bowl's diameter.



9. 62323 Long Nose Jaws

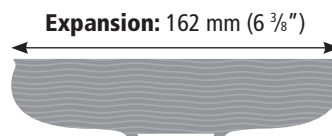
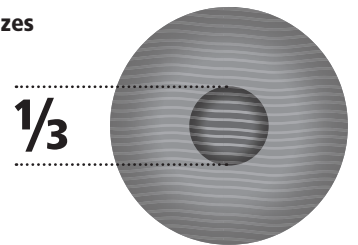
These extremely flexible jaws feature internal and external dovetails for bowl work. The deep internal grip is versatile but main benefit of these jaws is to project the work away from the chuck, allowing good tool access to the base of the timber for cleaning and shaping.

Expansion: 54 - 74 mm (2 1/8 - 2 7/8")
Contraction (spigot): 38 - 58 mm (1 1/2 - 2 1/4")
Contraction (square): 27.5 - 48 mm (1 1/8 - 1 7/8")



Recommended Optimum Bowl Sizes

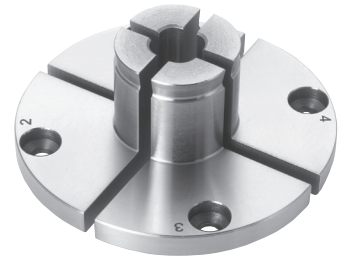
Based on the design principle of the spigot or recess being 1/3 of the bowl's diameter.



10. 62327 Pin Jaws with 9 mm Bore

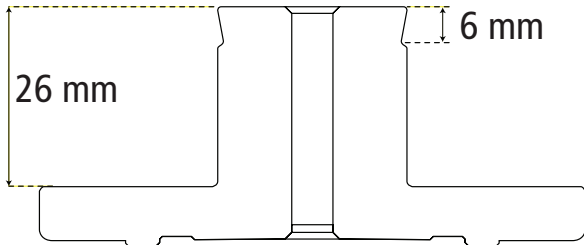
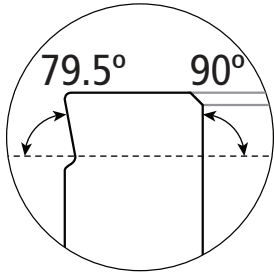
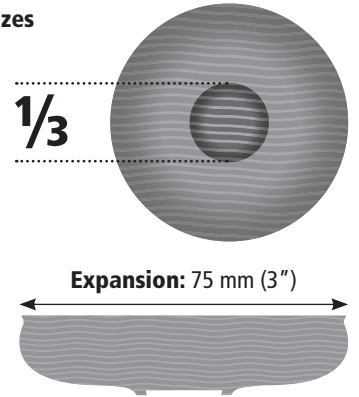
Our pin jaws have been improved by squaring the external shoulder to allow workpieces to properly register against the back of the jaws. This is ideal for use in expansion, to grip tubes in work pieces such as pepper or salt grinders. We have also reduced the internal diameter to 9 mm, making it ideal for making finials or lace bobbins - Thereby increasing its versatility. This set is ideal for miniature turning and to grip workpieces internally without excessive damage or marking.

- Expansion:** 25 - 45 mm (1 - 1 3/4")
- Contraction (spigot):** 9 - 28 mm (3/8 - 1 1/8")
- Contraction (square):** 7 - 27 mm (1/4 - 1 1/8")



Recommended Optimum Bowl Sizes

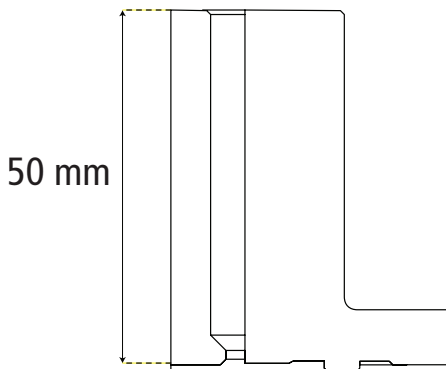
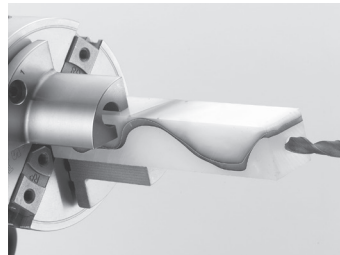
Based on the design principle of the spigot or recess being 1/3 of the bowl's diameter.



11. 62337 Pen Jaws

These jaws are fantastically effective for drilling pen blanks. They eliminate the need for a drill press and offer much more accurate results and the deep grip to all four sides ensures incredible holding power. Drilling on the lathe means the feed speed of the drill bit is under your complete control, meaning a superior finish can be achieved on a wide range of materials. These jaws are also useful for working on small finials and similar projects as in addition to their strong grip, the work piece is moved forward from the chuck, allowing greater access.

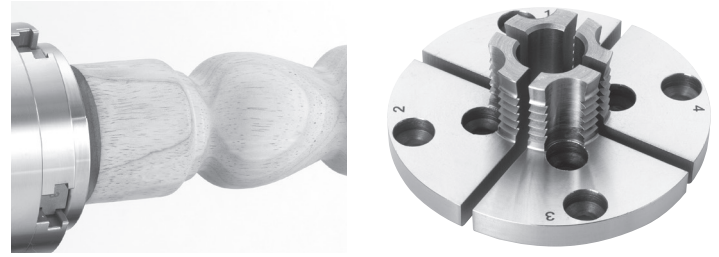
- Contraction (spigot):** 11 - 20 mm (3/8 - 3/4")
- Contraction (square):** 10 - 26 mm (3/8 - 1")



12. 62336 Mini Spigot Jaws with 13 mm Bore

To complement the pin jaws, the mini spigot jaws have also been improved. These jaws perform many of the same tasks in expansion and the extra screw hole profiles and added teeth to the outside provide tremendous grip for when this area will not be visible in the finished work piece. This set has been given a 13 mm internal diameter, making it ideal for turning strong spigots on knobs and handles, again adding to their versatility.

Expansion: 26 - 46 mm (1 - 1 3/4")
Contraction (spigot): 13 - 33 mm (1/2 - 1 1/4")
Contraction (square): 11 - 31 mm (3/8 - 1 1/4")



Recommended Optimum Bowl Sizes

Based on the design principle of the spigot or recess being 1/3 of the bowl's diameter.

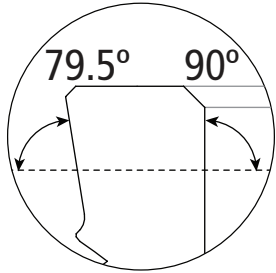
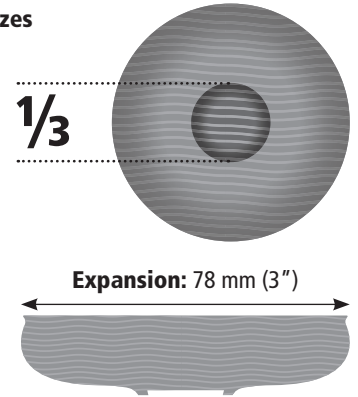
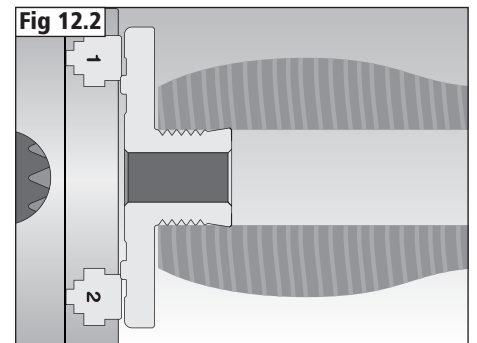
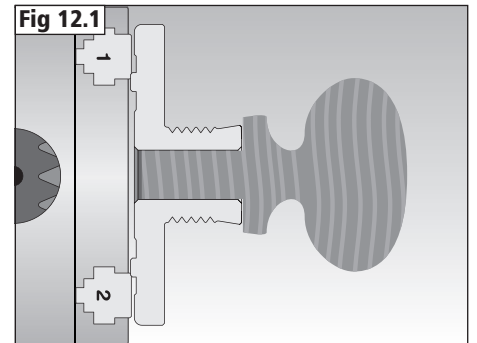


Fig 12.1 shows the jaws holding the spigot of a drawer / door handle.
Fig 12.2 shows the jaws expanding into a grinding mill recess.



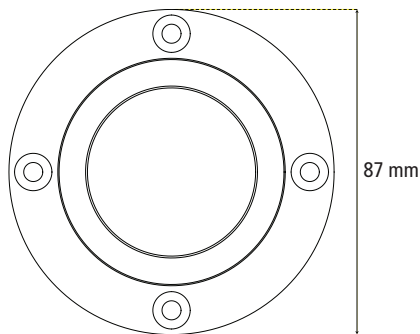
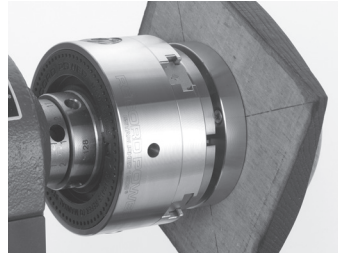
13. 62572 87 mm (3 1/2") Faceplate Ring

This faceplate ring is ideal for holding medium sized bowl blanks and due to its strong hold is also suitable for more out of balance timber. It is held to the chuck using the standard 50 mm jaw set which comes complete with all Record Power chuck packages.

Must be used with **62313** 50 mm Standard Jaws (Supplied with SC3 and SC4 chucks).

Diameter: 87 mm (3 1/2")

Mount the faceplate to the centre of the workpiece and secure in place with 4 number 10 wood screws. Ensure the recess is facing outwards and attach the faceplate to the **62313** 50 mm Standard Jaws.



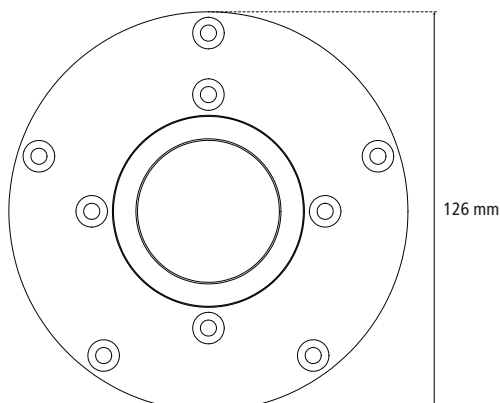
14. 62574 126 mm (5") Faceplate Ring

This large faceplate ring is ideal for holding large bowl blanks and due to its strong hold is also suitable for more out of balance timber. It is held to the chuck using the standard 50 mm jaw set which comes complete with all Record Power chuck packages.

Must be used with **62313** 50 mm Standard Jaws (Supplied with SC3 and SC4 chucks).

Diameter: 126 mm (5")

Mount the faceplate to the centre of the workpiece and secure in place with 9 number 10 wood screws. Ensure the recess is facing outwards and attach the faceplate to the **62313** 50 mm Standard Jaws.

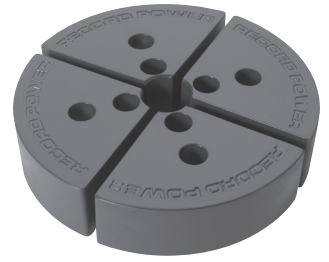
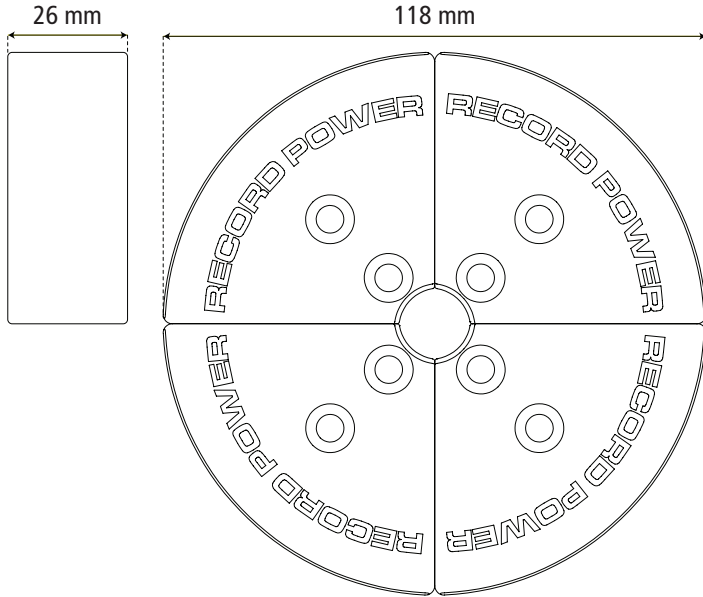


15. 62378 RP Plastic Soft Jaws

These nylon jaws are designed specifically to be cut with standard turning tools. They can be easily shaped to create bespoke jaws to fulfil exacting requirements and offer excellent grip without marking the work piece.

Diameter: 118 - 140 mm (4 3/8 - 5 1/2")

Depth: 26 mm (1")



Important: Always turn the jaws in the fully closed position.

16. 62356 Remounting Jaws Mini - Up to 200 mm Bowl

Remounting jaws are incredibly popular due to their flexibility. They work in both contraction and expansion modes and can be fitted behind other jaw sets to create bespoke set-ups to make turning more efficient. The soft stoppers are designed to hold without causing damage, making them ideal for remounting finished or partly finished objects for further work.

Expansion: 95 - 215 mm (3 3/4 - 8 1/2")

Contraction (spigot): 59 - 170 mm (2 3/8 - 6 3/4")

Contraction (square): 53 - 154 mm (2 1/8 - 6")



See **Fig 16.1** for examples of how different shaped work can be held.

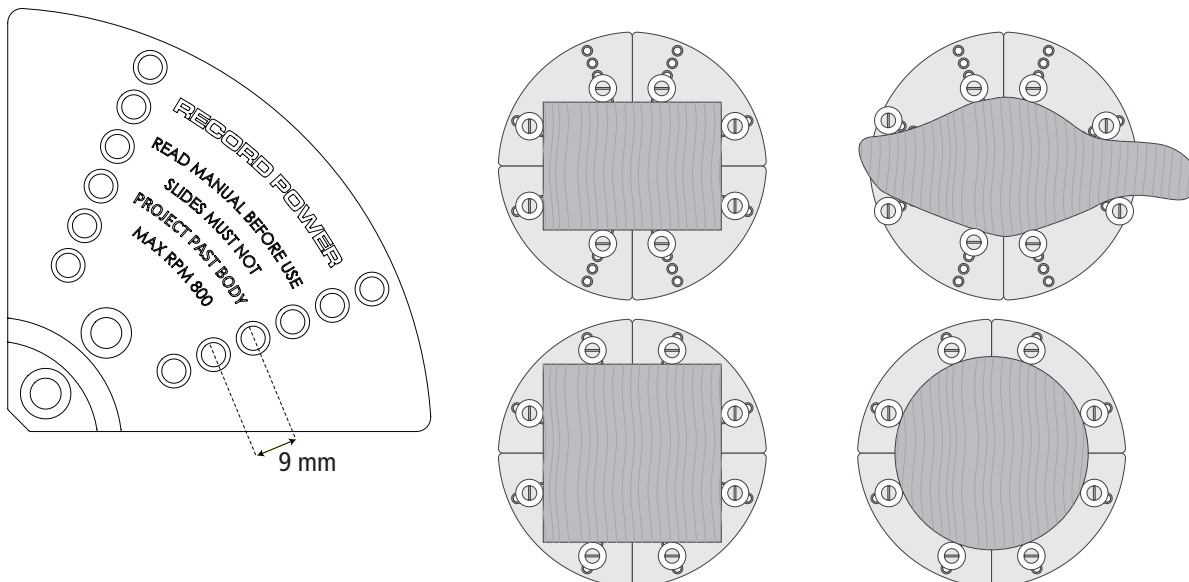
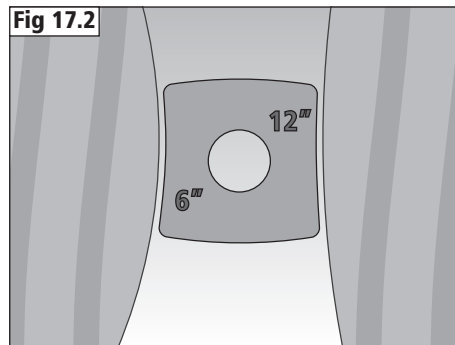
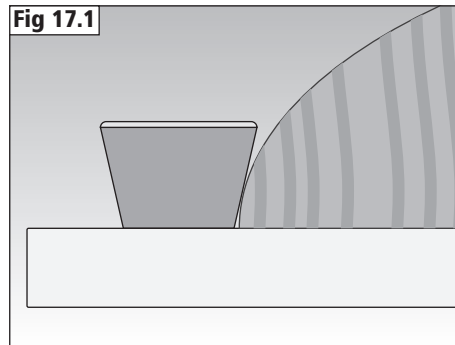
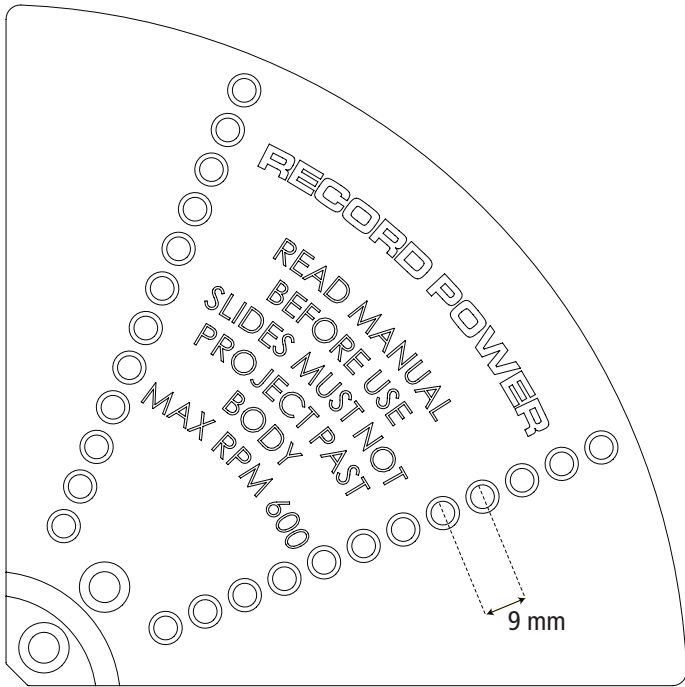
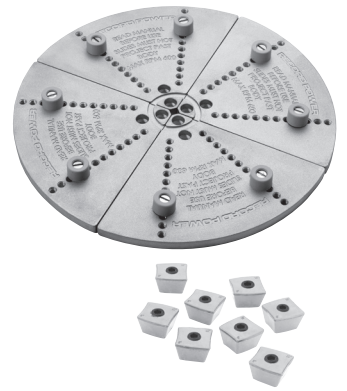


Fig 16.1

17. 62377 Remounting Jaws Mega - Up to 295 mm Bowl (With Angular Buffer Stops)

In response to many requests, we have increased the capacity of our larger remounting jaws, whilst ensuring they can still clear the bed of lathes with the popular 12" swing capacity and are capable of holding 275 mm (10 3/4") diameter bowls in contraction mode. Remounting jaws are incredibly popular due to their flexibility. They work in both contraction and expansion modes and can be fitted behind other jaw sets to create bespoke set-ups to make turning more efficient. The soft stoppers are designed to hold without causing damage, making them ideal for remounting finished or partly finished objects for further work.

Expansion:	53 - 316 mm (2 - 12 1/2")
Contraction (spigot):	55 - 272 mm (2 1/8 - 10 3/4")
Contraction (square):	51 - 250 mm (2 - 9 7/8")



Also included with these jaws are a set of angular stoppers, featuring a tapered profile to give optimum grip to the workpiece as shown in **Fig 17.1**. They also feature two curved sides which give support to 6" and 12" diameter workpieces as shown in **Fig 17.2**.

See **Fig 17.3** for examples of how different shaped work can be held.

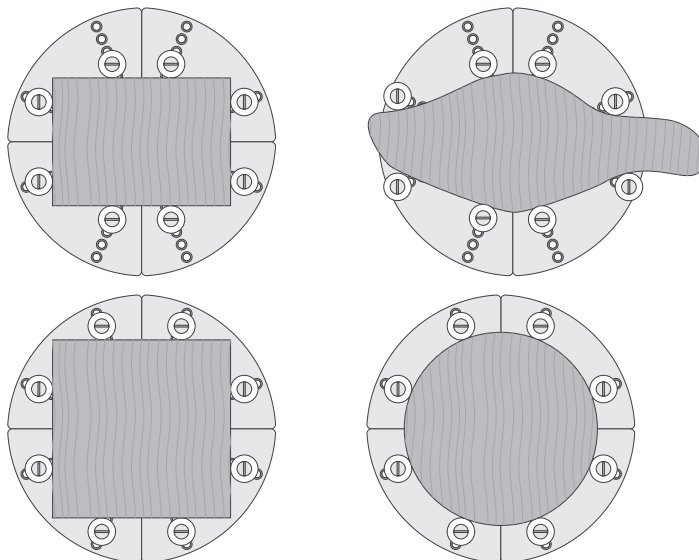


Fig 17.3



RECORD POWER

ESTABLISHED 1909®

Woodworking Machinery and Accessories

Record Power Ltd, Centenary House, 11 Midland Way, Barlborough Links, Chesterfield, Derbyshire S43 4XA

Tel: +44 (0) 1246 571 020 Fax: +44 (0) 1246 571 030 www.recordpower.co.uk

To register a product and find your local stockist visit

recordpower.info

Made in China